

# BLADE 200 SRX HELICOPTER Precision CNC Aluminum Main Blade Grip set INSTRUCTION

MICROHELI CO., LTD.

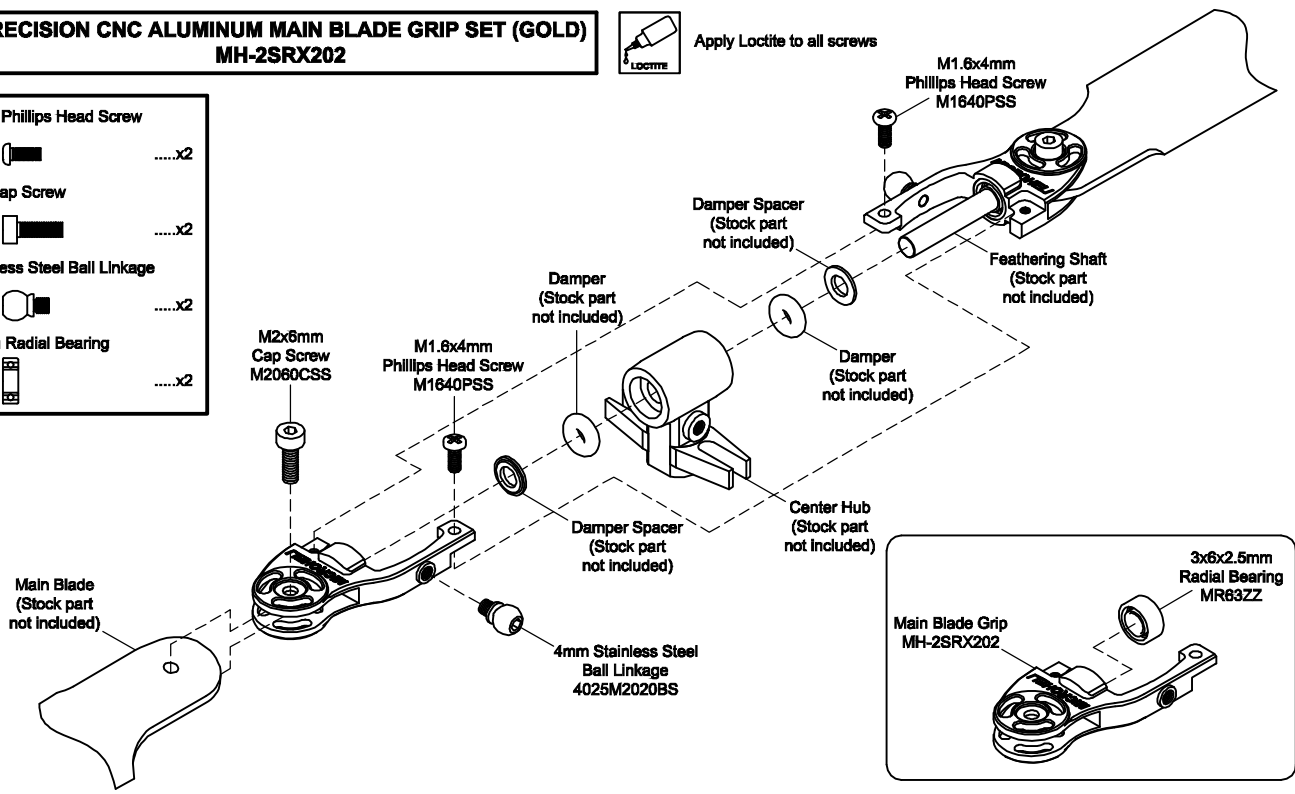
COPYRIGHT © 2014 MICROHELI®

## 1 PRECISION CNC ALUMINUM MAIN BLADE GRIP SET (GOLD) MH-2SRX202



Apply Loctite to all screws

- M1.6x4mm Phillips Head Screw .....x2
- M2x6mm Cap Screw .....x2
- 4mm Stainless Steel Ball Linkage .....x2
- 3x6x2.5mm Radial Bearing .....x2



Apply Loctite

**CAUTION: Please check your model helicopter carefully before attempt to fly!**

REV. 2SRX202-010814-01

01

# BLADE 200 SRX HELICOPTER Precision CNC Aluminum Main Blade Grip set INSTRUCTION

MICROHELI CO., LTD.

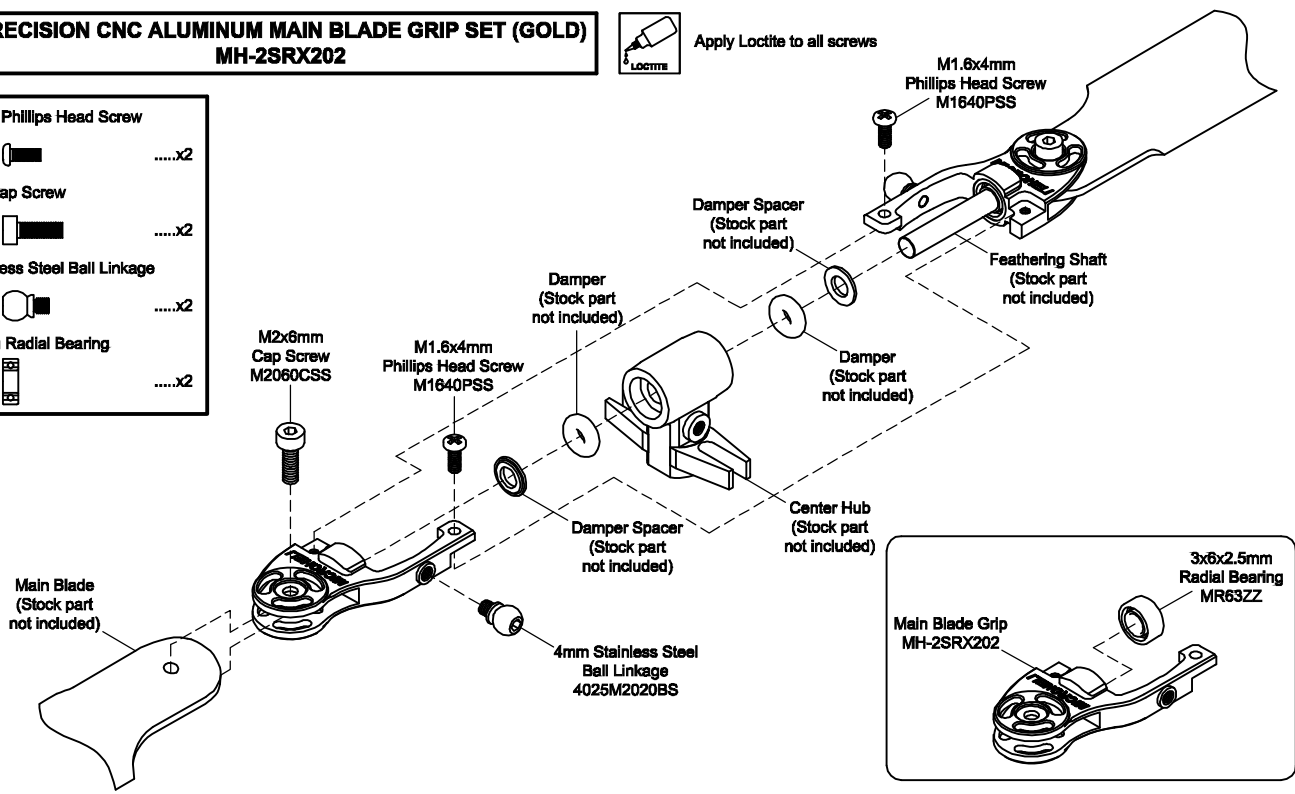
COPYRIGHT © 2014 MICROHELI®

## 1 PRECISION CNC ALUMINUM MAIN BLADE GRIP SET (GOLD) MH-2SRX202



Apply Loctite to all screws

- M1.6x4mm Phillips Head Screw .....x2
- M2x6mm Cap Screw .....x2
- 4mm Stainless Steel Ball Linkage .....x2
- 3x6x2.5mm Radial Bearing .....x2



Apply Loctite

**CAUTION: Please check your model helicopter carefully before attempt to fly!**

REV. 2SRX202-010814-01

01