

# BLADE 200 SRX HELICOPTER Aluminum/Carbon Fiber Landing Gear (YELLOW) INSTRUCTION

MICROHELI CO., LTD.

COPYRIGHT © 2014 MICROHELI®

## 1 ALUMINUM/CARBON FIBER LANDING GEAR (YELLOW) MH-2SRX206Y

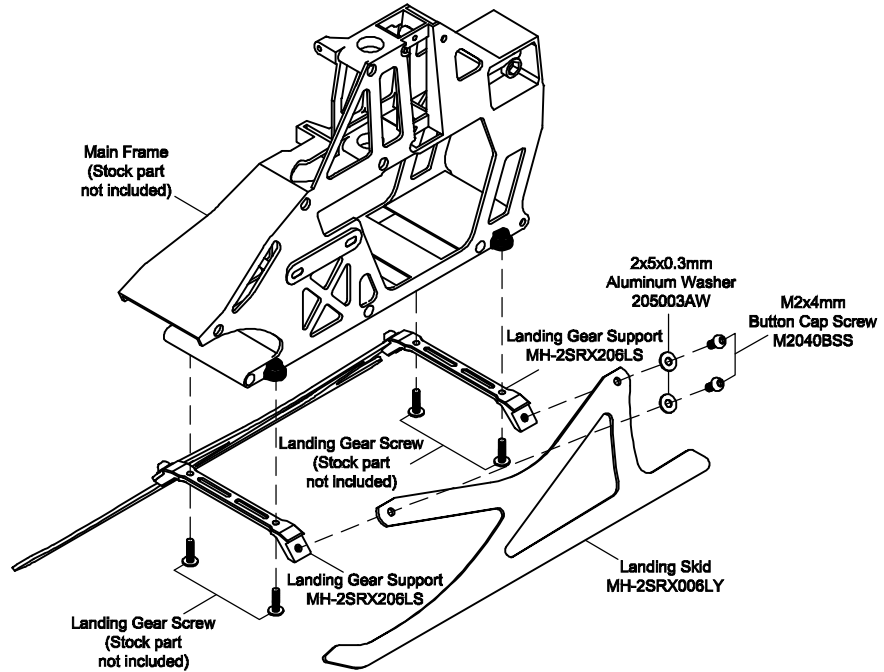


Apply Loctite to all screws

2x5x0.3mm Aluminum Washer



M2x4mm Button Cap Screw



Apply Loctite

**CAUTION: Please check your model helicopter carefully before attempt to fly!**

REV. 2SRX206Y-180814-01

01

# BLADE 200 SRX HELICOPTER Aluminum/Carbon Fiber Landing Gear (YELLOW) INSTRUCTION

MICROHELI CO., LTD.

COPYRIGHT © 2014 MICROHELI®

## 1 ALUMINUM/CARBON FIBER LANDING GEAR (YELLOW) MH-2SRX206Y

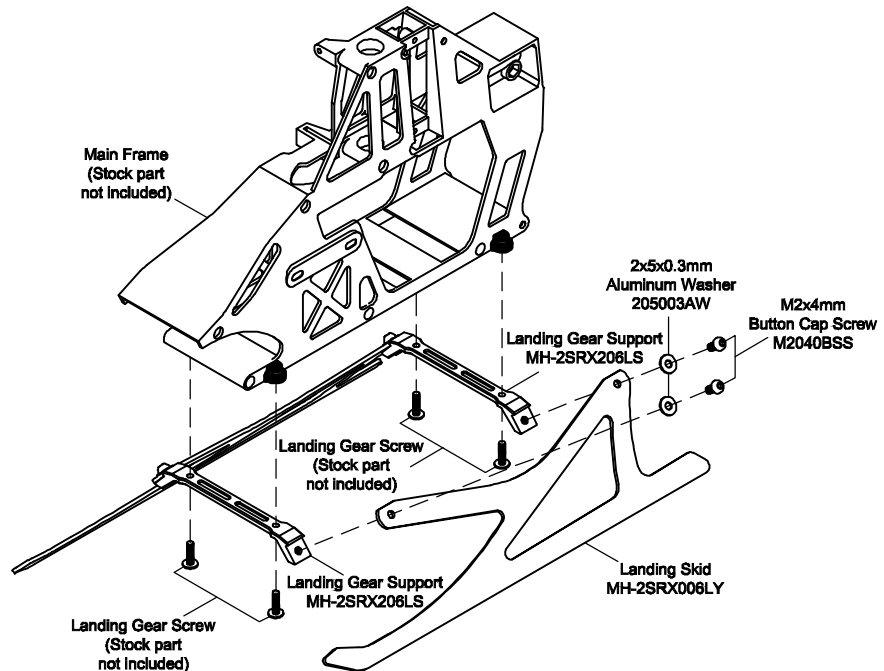


Apply Loctite to all screws

2x5x0.3mm Aluminum Washer



M2x4mm Button Cap Screw



Apply Loctite

**CAUTION: Please check your model helicopter carefully before attempt to fly!**

REV. 2SRX206Y-180814-01

01