

# BLADE 180 CFX HELICOPTER Aluminum Tail Boom Support Mount w/ Fin INSTRUCTION

MICROHELI CO., LTD.

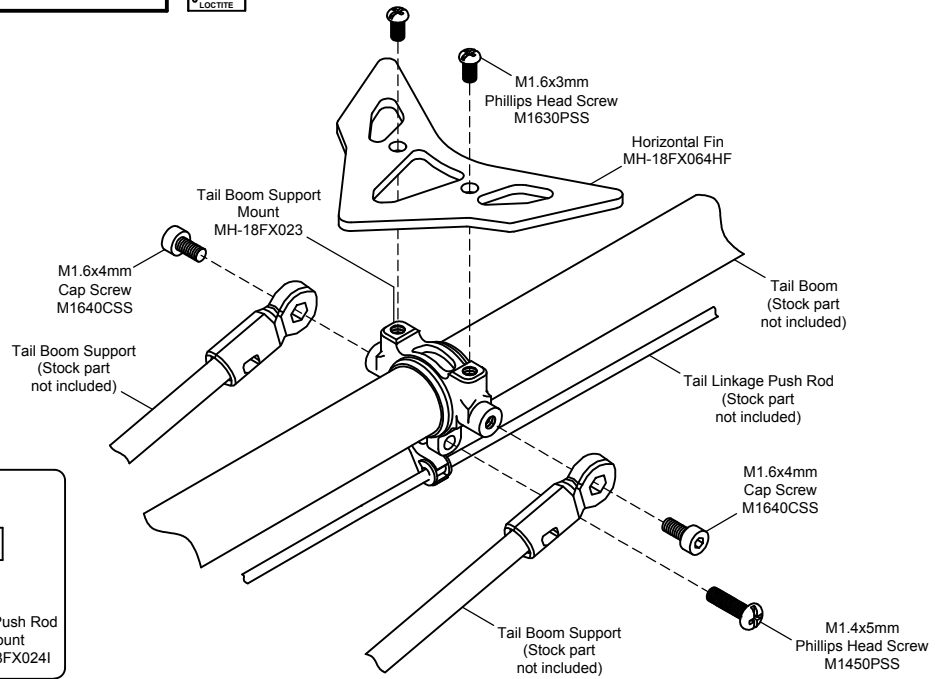
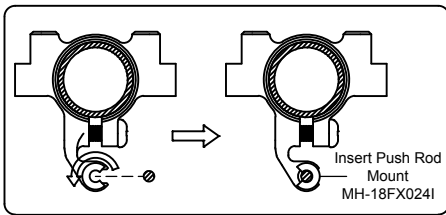
COPYRIGHT © 2017 MICROHELI®

## 1 ALUMINUM TAIL BOOM SUPPORT MOUNT W/ FIN MH-18FX064H



Apply Loctite to all screws

M1.4x5mm Phillips Head Screw		.....x1
M1.6x3mm Phillips Head Screw		.....x2
M1.6x4mm Cap Screw		.....x2



Apply Loctite

**CAUTION: Please check your model helicopter carefully before attempt to fly!**

REV. 18FX064H-091214-01