

BLADE 180 CFX HELICOPTER Carbon Fiber Horizontal Fin INSTRUCTION

MICROHELI CO., LTD.

COPYRIGHT © 2017 MICROHELI®

1

CARBON FIBER HORIZONTAL FIN MH-18FX065HF

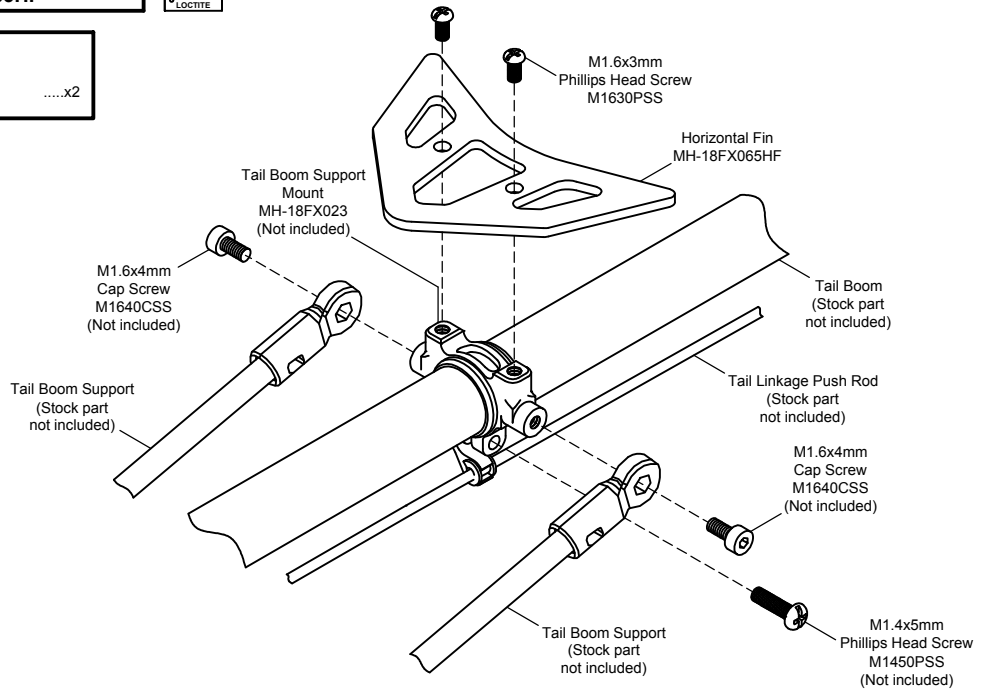


Apply Loctite to all screws

M1.6x3mm Phillips Head Screw



.....x2



Apply Loctite

CAUTION: Please check your model helicopter carefully before attempt to fly!

REV. 18FX065HF-051214-01

01