

BLADE 130 S HELICOPTER Precision CNC Titanium X Swashplate INSTRUCTION

MICROHELI CO., LTD.

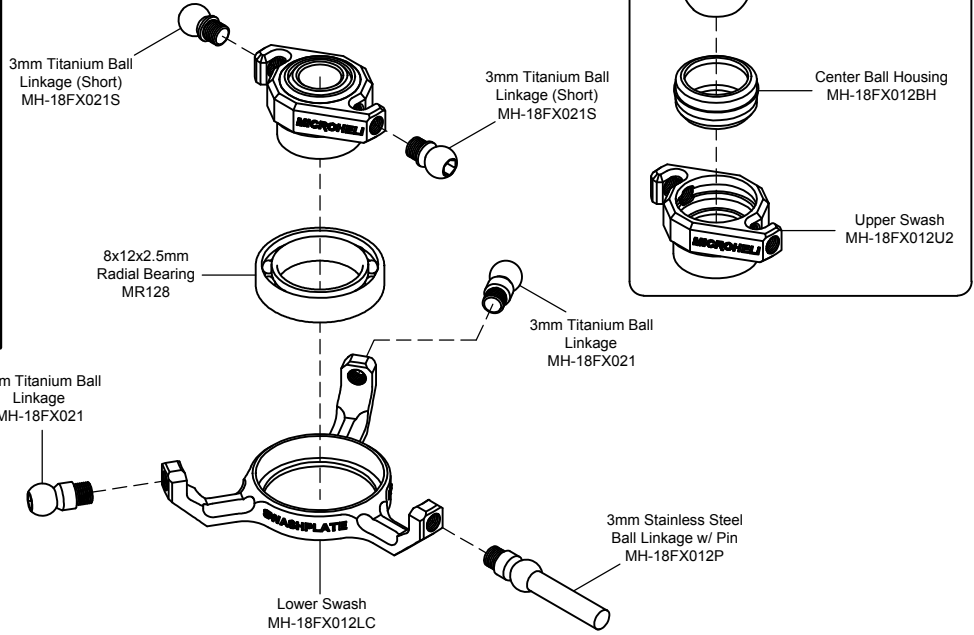
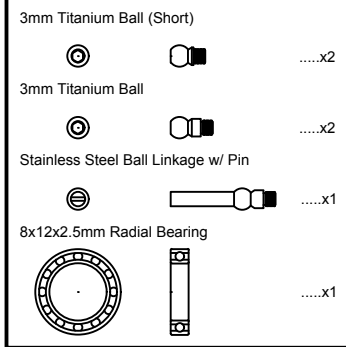
COPYRIGHT © 2017 MICROHELI®

1

PRECISION CNC TITANIUM X SWASHPLATE MH-130S012



Apply Loctite to all screws



Apply Loctite

CAUTION: Please check your model helicopter carefully before attempt to fly!

REV. 130S012-100217-01

01