

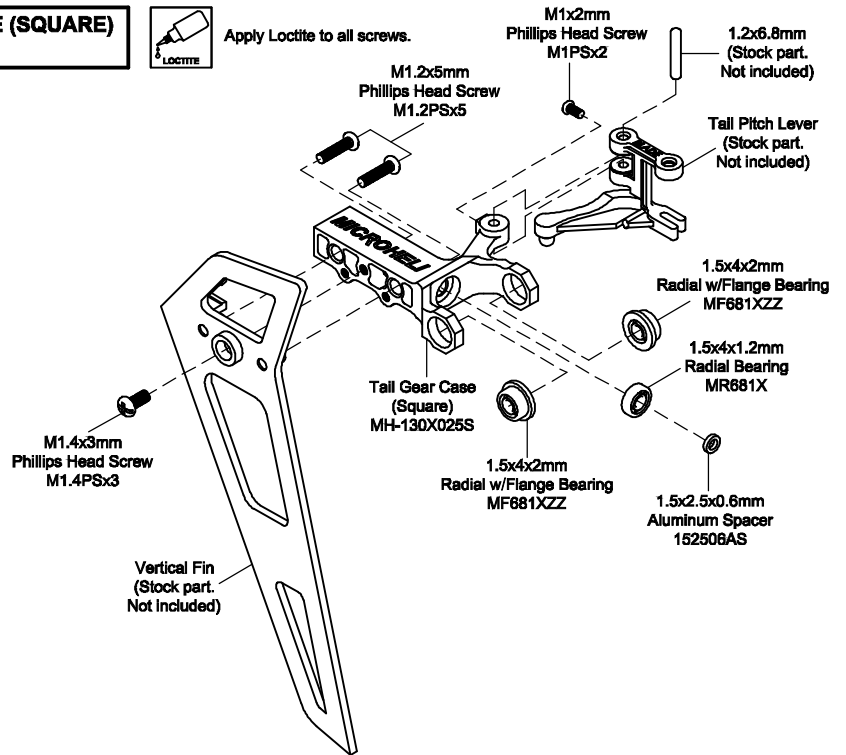
BLADE 130 X HELICOPTER Precision CNC Aluminum Tail Gear Case (Square) INSTRUCTION

MICROHELI CO., LTD

COPYRIGHT © 2012 MICROHELI®

1 PRECISION CNC ALUMINUM TAIL GEAR CASE (SQUARE) MH-130X025S

M1x2 Phillips Head Screw	x1
M1.4x3 Phillips Head Screw	x1
M1.2x5 Phillips Head Screw	x2
1.5x4x1.2mm Radial Bearing	x1
1.5x4x2mm Radial w/Flange Bearing	x2



CAUTION: Please check your model helicopter carefully before attempt to fly!

REV. 130X025S-030912-01

01

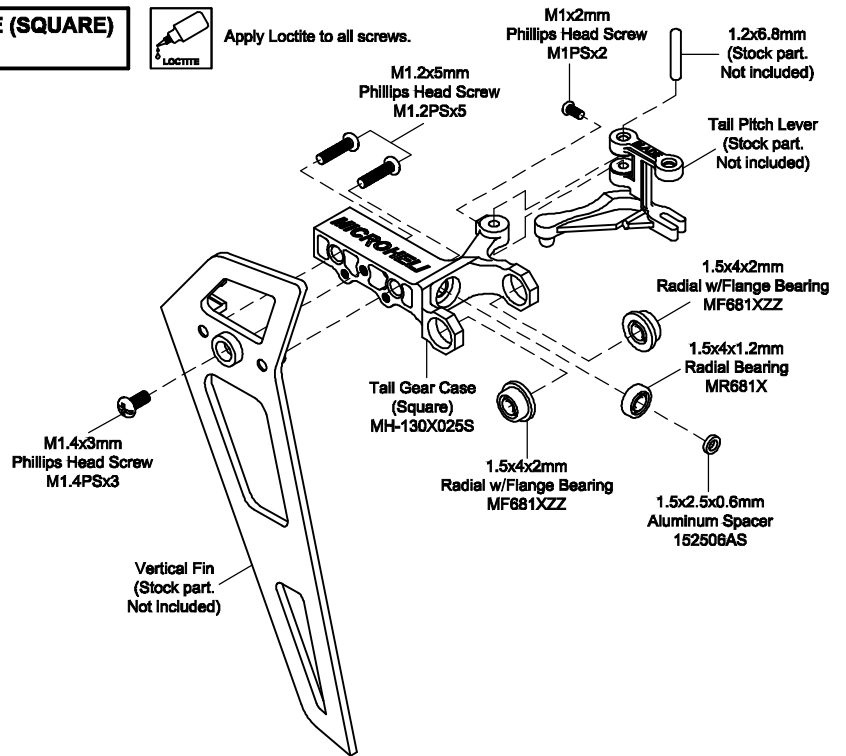
BLADE 130 X HELICOPTER Precision CNC Aluminum Tail Gear Case (Square) INSTRUCTION

MICROHELI CO., LTD

COPYRIGHT © 2012 MICROHELI®

1 PRECISION CNC ALUMINUM TAIL GEAR CASE (SQUARE) MH-130X025S

M1x2 Phillips Head Screw	x1
M1.4x3 Phillips Head Screw	x1
M1.2x5 Phillips Head Screw	x2
1.5x4x1.2mm Radial Bearing	x1
1.5x4x2mm Radial w/Flange Bearing	x2



CAUTION: Please check your model helicopter carefully before attempt to fly!

REV. 130X025S-030912-01

01