

# BLADE 180 CFX HELICOPTER CNC Blade 180 CFX Power package INSTRUCTION

MICROHELI CO., LTD.

COPYRIGHT © 2017 MICROHELI®

## 3 TITANIUM X SWASHPLATE W/ ANTI-ROTATION GUIDE COMBO MH-18FX012X



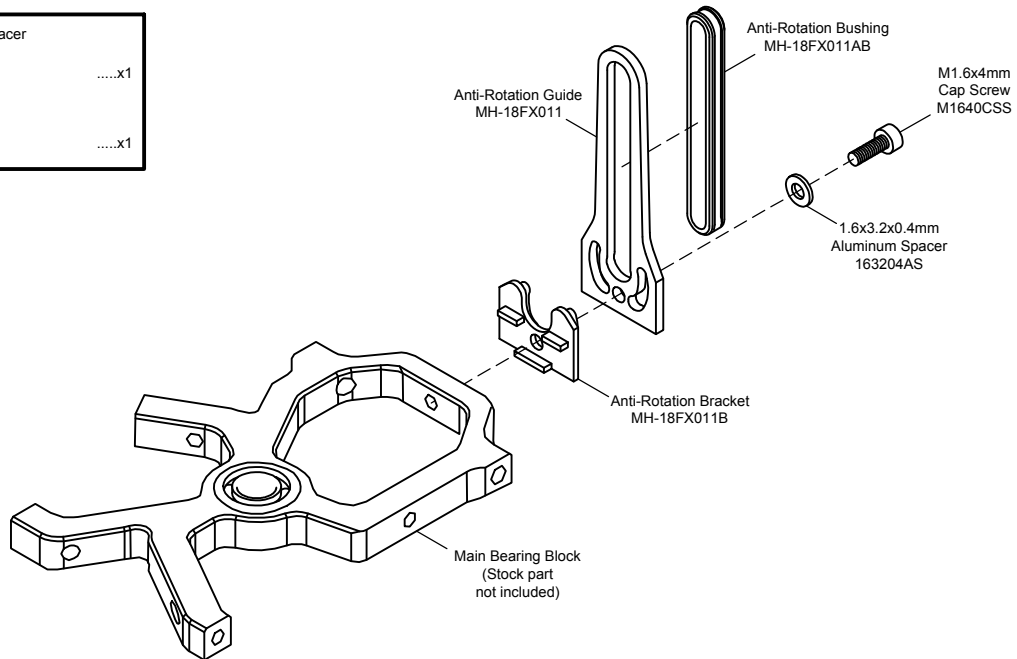
Apply Loctite to all screws

1.6x3.2x0.4mm Aluminum Spacer

.....X1

M1.6x4mm Cap Screw

.....X1



Apply Loctite

**CAUTION: Please check your model helicopter carefully before attempt to fly!**

REV. 18FX-PWRW-120115-01

03

# BLADE 180 CFX HELICOPTER CNC Blade 180 CFX Power package INSTRUCTION

MICROHELI CO., LTD.

COPYRIGHT © 2017 MICROHELI®

## 4 TITANIUM X SWASHPLATE W/ ANTI-ROTATION GUIDE COMBO MH-18FX012X



Apply Loctite to all screws

3mm Titanium Ball (Short)

.....X2

3mm Titanium Ball

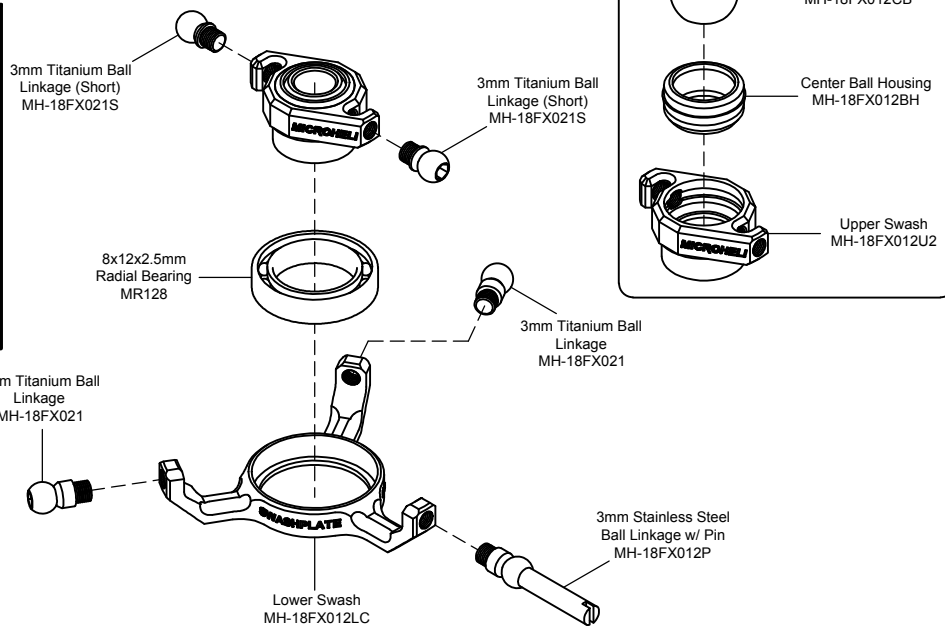
.....X2

Stainless Steel Ball Linkage w/ Pin

.....X1

8x12x2.5mm Radial Bearing

.....X1



Apply Loctite

**CAUTION: Please check your model helicopter carefully before attempt to fly!**

REV. 18FX-PWRW-120115-01

04