

BLADE 230 S HELICOPTER Aluminum/Carbon Fiber Main Frame INSTRUCTION

MICROHELI CO., LTD.

COPYRIGHT © 2017 MICROHELI®

4 ALUMINUM/CARBON FIBER MAIN FRAME MH-230S005



Apply Loctite to all screws

M1.6x3mm Cap Screw



.....x8

M2x4mm Countersunk Head Screw

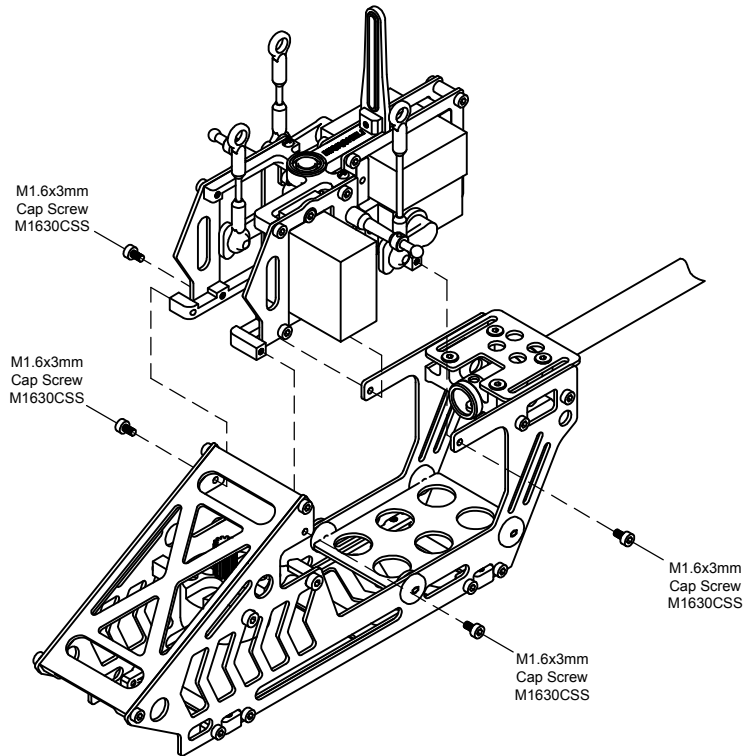
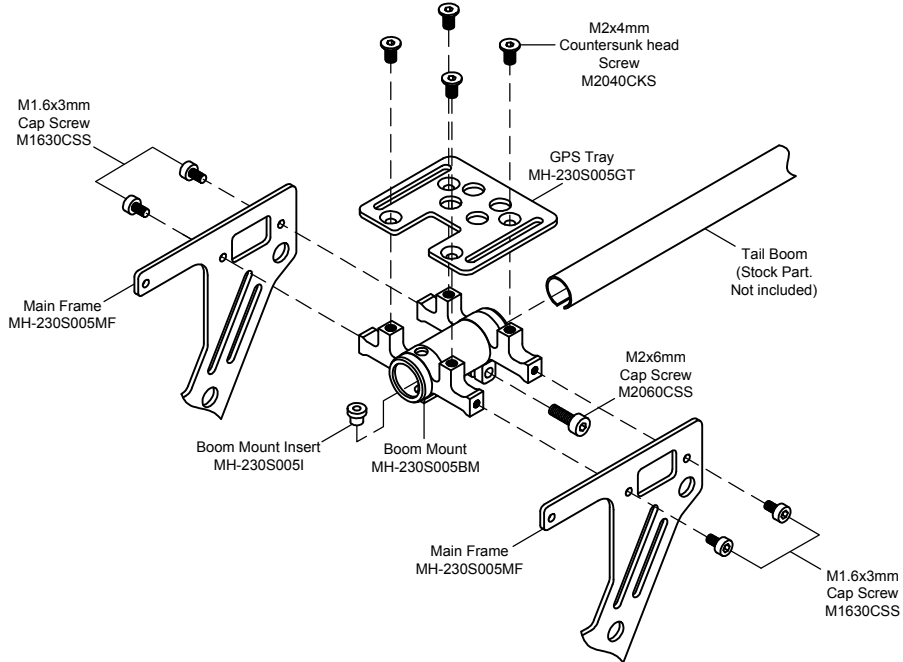


.....x4

M2x6mm Cap Screw



.....x1



Apply Loctite



Apply C.A glue

CAUTION: Please check your model helicopter carefully before attempt to fly!

REV. 230S005-031215-01