

BLADE 330X HELICOPTER Precision CNC Aluminum Swashplate INSTRUCTION

MICROHELI CO., LTD.

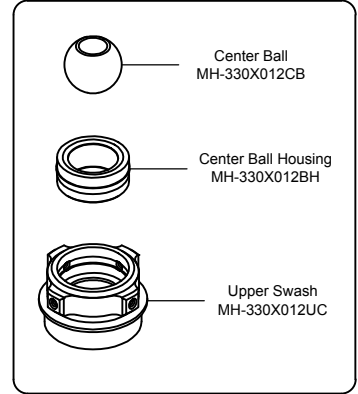
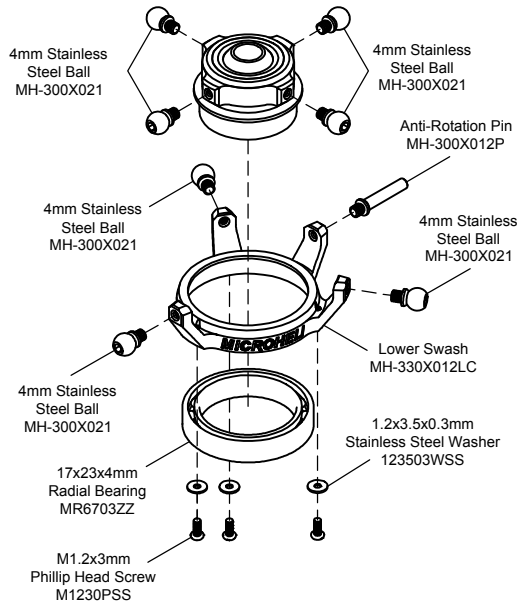
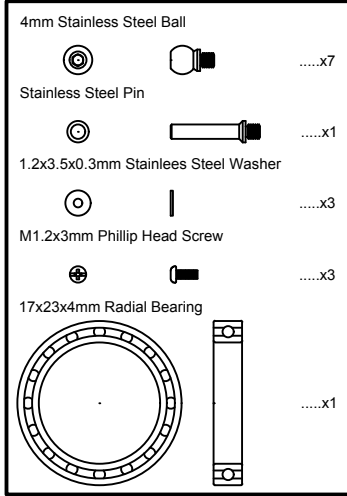
COPYRIGHT © 2017 MICROHELI®

1

PRECISION CNC TITANIUM SWASHPLATE MH-330X012



Apply Loctite to all screws



Apply Loctite

CAUTION: Please check your model helicopter carefully before attempt to fly!

REV. 330X012-091218-01